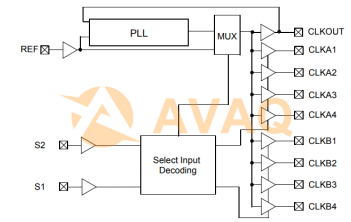


## Zero Delay Buffer 9-Out LVCMOS Single-Ended 16-Pin SOIC Tube

<b>Manufacturer:</b>	Infineon Technologies Corporation
<b>Package/Case:</b>	SOP16
<b>Product Type:</b>	Clock & Timer ICs
<b>RoHS:</b>	RoHS Compliant/Lead free
<b>Lifecycle:</b>	Active



Images are for reference only

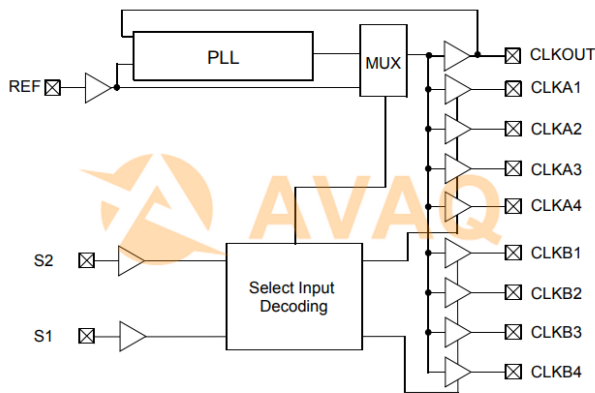
[Inquiry](#)

### General Description

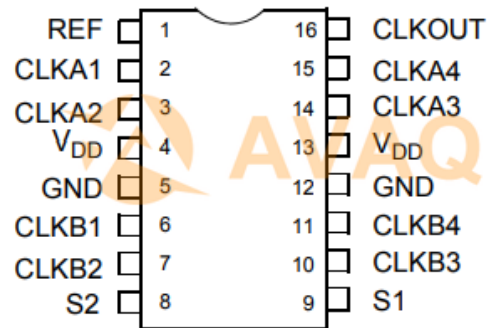
Avaq Semiconductor offers the highly versatile and reliable CY2309SXC-1H driver, produced by Infineon Technologies Corporation. With its multifunctional and high-performance capabilities, this component is an excellent choice for a wide range of electronic projects.

To ensure that you have all the necessary information to make the most of this component, Avaq provides a free datasheet PDF, as well as circuit diagrams, pin layouts, pin details, pin voltage ratings, and equivalent components for the CY2309SXC-1H.

Avaq also offers free samples. Simply fill out and submit the sample request form to receive your free samples for testing. If you have any questions, please feel free to contact us at ar



**Figure 2. Pin Diagram - CY2309**



### Recommended For You

#### CY2304NZZX1-1

Infineon Technologies Corporation  
TSSOP8

#### CY22392FXC

Infineon Technologies Corporation  
TSSOP16

#### CY2309SXI-1H

Infineon Technologies Corporation  
SOP16

#### CY2308SXI-1H

Infineon Technologies Corporation  
SOP16

#### CY22381FXC

Infineon Technologies Corporation  
SOP-8

#### CY2308SXC-1H

Infineon Technologies Corporation  
SOP16

#### CY2308SXI-4

Infineon Technologies Corporation  
SOP16

#### CY2308SXC-3

Infineon Technologies Corporation  
SOP16

#### CY2304SI-2

Infineon Technologies Corporation  
SOP8

**CY2308SI-1H**

Infineon Technologies Corporation

SOP16

**CY2308SXI-1**

Infineon Technologies Corporation

SOP16

**CY2308SC-1H**

Infineon Technologies Corporation

SOP16

**CY25560SXI**

Infineon Technologies Corporation

SOP8

**CY2308SI-4**

Infineon Technologies Corporation

SOP16

**CY2304NZZXC-1**

Infineon Technologies Corporation

TSSOP8