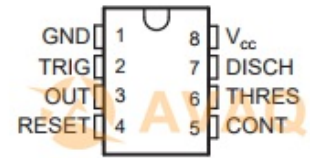


Standard Timer Single -55°C 125°C 8-Pin CDIP Tube

| | |
|----------------------|--|
| Manufacturer: | Texas Instruments, Inc |
| Package/Case: | DIP |
| Product Type: | Discrete Semiconductor Modules |
| Lifecycle: | Active |



Images are for reference only

[Inquiry](#)

General Description

These devices are precision timing circuits capable of producing accurate time delays or oscillation. In the time-delay or mono-stable mode of operation, the timed interval is controlled by a single external resistor and capacitor network. In the a-stable mode of operation, the frequency and duty cycle can be controlled independently with two external resistors and a single external capacitor.

The threshold and trigger levels normally are two-thirds and one-third, respectively, of VCC. These levels can be altered by use of the control-voltage terminal. When the trigger input falls below the trigger level, the flip-flop is set, and the output goes high. If the trigger input is above the trigger level and the threshold input is above the threshold level, the flip-flop is reset and the output is low. The reset (RESET) input can override all other inputs and can be used to initiate a new timing cycle. When RESET goes low, the flip-flop is reset, and the output goes low. When the output is low, a low-impedance path is provided between discharge (DISCH) and ground.

The output circuit is capable of sinking or sourcing current up to 200 mA. Operation is specified for supplies of 5 V to 15 V. With a 5-V supply, output levels are compatible with TTL inputs.

Key Features

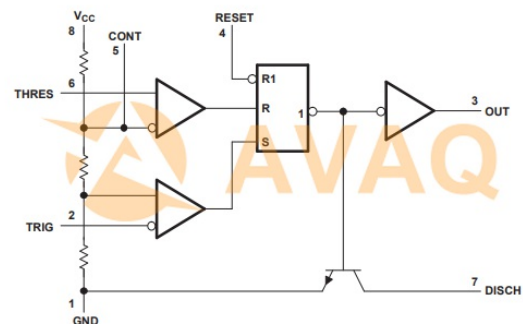
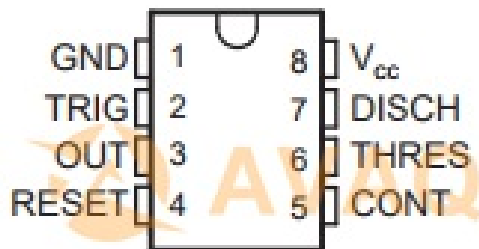
Timing From Microseconds to Hours

Astable or Monostable Operation

Adjustable Duty Cycle

TTL-Compatible Output Can Sink or Source

On Products Compliant to MIL-PRF-38535,



Recommended For You

SE556J

Texas Instruments, Inc

DIP

SE555JG

Texas Instruments, Inc

CDIP

SE555DG4

Texas Instruments, Inc

SOP8

SE555P

Texas Instruments, Inc

DIP-8

SE555DR

Texas Instruments, Inc

SOP8

SE555D

Texas Instruments, Inc

SOP8

SE555DRG4

Texas Instruments, Inc

SOP-8

SE556JB

Texas Instruments, Inc

CDIP

SE555FKB

Texas Instruments, Inc

LCCC(FK)

SA555DR

Texas Instruments, Inc

SOP8

NE556D

Texas Instruments, Inc

SOP

TLC555CP

Texas Instruments, Inc

DIP8

TLC556CN

Texas Instruments, Inc

DIP14

LMK00334RTVR

Texas Instruments, Inc

WQFN32

CD4541BE

Texas Instruments, Inc

DIP14