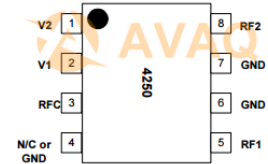


## RF Switch SPDT 10MHz to 3GHz 35dB 8-Pin MSOP T/R



|                      |                          |
|----------------------|--------------------------|
| <b>Manufacturer:</b> | pSemi Corporation        |
| <b>Package/Case:</b> | MSOP8                    |
| <b>Product Type:</b> | Switches                 |
| <b>RoHS:</b>         | RoHS Compliant/Lead free |
| <b>Lifecycle:</b>    | Active                   |

Figure 3. Pin Configuration (Top View)



Images are for reference only

Inquiry

### General Description

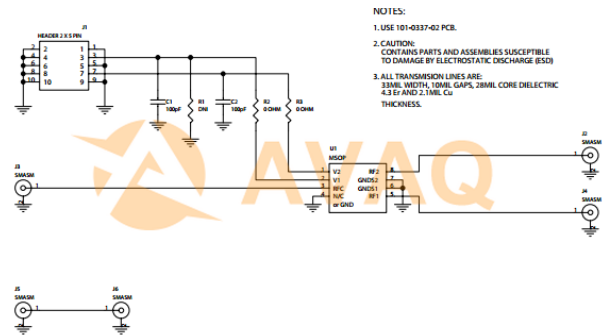
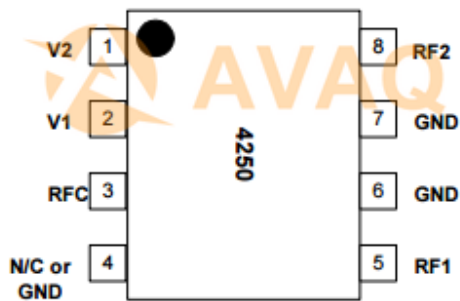
Avaq Semiconductor offers the highly versatile and reliable PE4250MLI-Z driver, produced by pSemi Corporation. With its multifunctional and high-performance capabilities, this component is an excellent choice for a wide range of electronic projects.

To ensure that you have all the necessary information to make the most of this component, Avaq provides a free datasheet PDF, as well as circuit diagrams, pin layouts, pin details, pin voltage ratings, and equivalent components for the PE4250MLI-Z.

Avaq also offers free samples. Simply fill out and submit the sample request form to receive your free samples for testing. If you have any questions, please feel free to contact us at ar



Figure 3. Pin Configuration (Top View)



### Recommended For You

#### PE43704B-Z

pSemi Corporation  
QFN

#### PE42582A-X

pSemi Corporation  
QFN

#### PE43705B-Z

pSemi Corporation  
QFN32

#### PE43702MLI-Z

pSemi Corporation  
QFN24

#### PE4312C-Z

pSemi Corporation  
QFN

#### PE3512

pSemi Corporation  
SC70-6

**PE4140B-z**

pSemi Corporation  
QFN

**PE9313**

pSemi Corporation  
BGA

**PE423422A-Z**

pSemi Corporation  
QFN12

**PE4251MLI-Z**

pSemi Corporation  
MSOP8

**PE43711B-Z**

pSemi Corporation  
QFN

**PE43205MLAA-Z**

pSemi Corporation  
QFN

**PE4312MLBA-Z**

pSemi Corporation  
QFN20

**PE3513**

pSemi Corporation  
SC70-6

**PE4314B-Z**

pSemi Corporation  
QFN