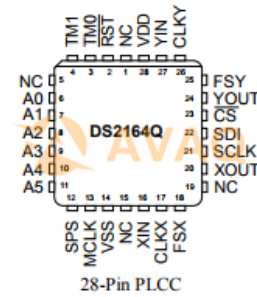


ADPCM Processor 28-Pin PLCC

Manufacturer:	Analog Devices, Inc
Package/Case:	PLCC
Product Type:	Embedded Processors & Controllers
Lifecycle:	Obsolete



Images are for reference only

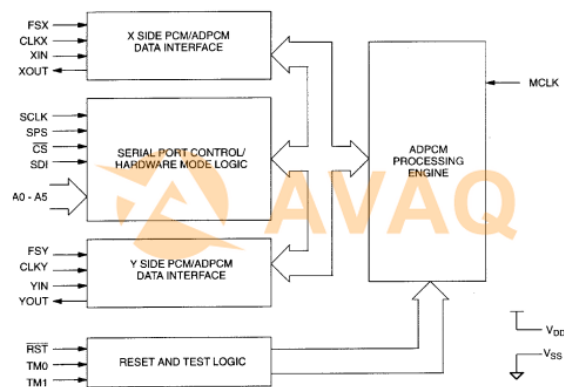
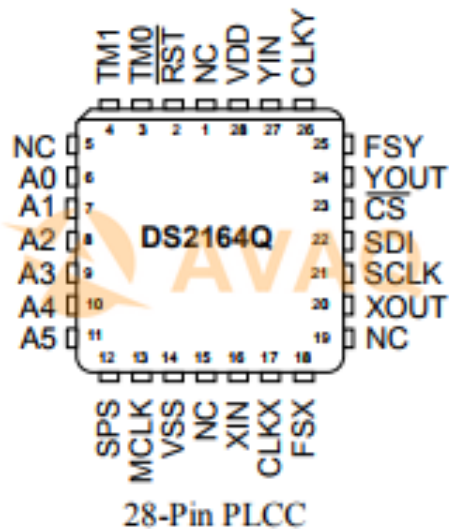
[Inquiry](#)

General Description

Avaq Semiconductor offers the highly versatile and reliable DS2164Q driver, produced by Analog Devices, Inc. With its multifunctional and high-performance capabilities, this component is an excellent choice for a wide range of electronic projects.

To ensure that you have all the necessary information to make the most of this component, Avaq provides a free datasheet PDF, as well as circuit diagrams, pin layouts, pin details, pin voltage ratings, and equivalent components for the DS2164Q.

Avaq also offers free samples. Simply fill out and submit the sample request form to receive your free samples for testing. If you have any questions, please feel free to contact us at ar



Recommended For You

ADSP-BF592KCPZ

Analog Devices, Inc
LFCSP64

ADSP-2183KSTZ-210

Analog Devices, Inc
QFP100

ADSP-BF534BBCZ-4B

Analog Devices, Inc
BGA

ADSP-BF537BBCZ-5A

Analog Devices, Inc
CSPBGA-182

ADSP-BF532SBSTZ400

Analog Devices, Inc
LQFP176

ADSP-BF533SBBCZ500

Analog Devices, Inc
BGA

ADSP-BF533SKBCZ-6V

Analog Devices, Inc
BGA

ADSP-BF533SBBZ500

Analog Devices, Inc
BGA

ADSP-BF533SBSTZ400

Analog Devices, Inc
QFP

ADSP-BF533SBBCZ400

Analog Devices, Inc
BGA160

ADSP-2171BSTZ-133

Analog Devices, Inc
QFP

ADSP-2186MKST-300

Analog Devices, Inc
QFP

ADSP-BF512BSWZ-4

Analog Devices, Inc
QFP176

ADSP-BF534BBCZ-5B

Analog Devices, Inc
BGA

ADSP-BF592BCPZ

Analog Devices, Inc
LFCSP64