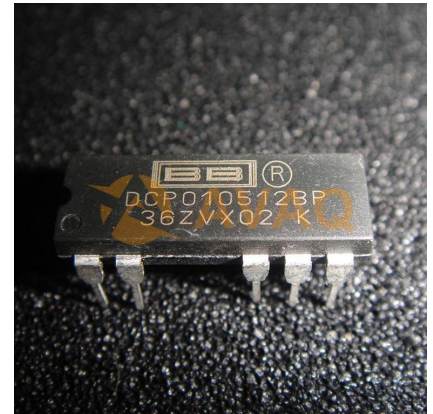



Module DC-DC 5VIN 1-OUT 12V 0.083A 1W 7-Pin SOP Tube



Images are for reference only

[Inquiry](#)

Manufacturer:	Texas Instruments, Inc
Package/Case:	DIP
Product Type:	Power Management ICs
RoHS:	RoHS Compliant/Lead free 
Lifecycle:	Active

General Description

The DCP01B series is a family of 1-W, isolated, unregulated DC/DC converter modules. Requiring a minimum of external components and including on-chip device protection, the DCP01B series of devices provide extra features such as output disable and synchronization of switching frequencies.

This combination of features and small size makes the DCP01B series of devices suitable for a wide range of applications, and is an easy-to-use solution in applications requiring signal path isolation.

WARNING: This product has operational isolation and is intended for signal isolation only. It should not be used as a part of a safety isolation circuit requiring reinforced isolation. See definitions in the Feature Description section.

Key Features

1-kV Isolation (operational): 1-second test

Continuous voltage applied across isolation barrier: 60 VDC / 42.5 VAC

Device-to-device synchronization

EN55022 Class B EMC performance

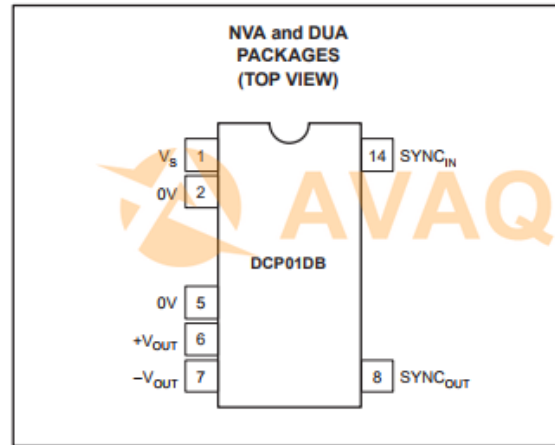
UL1950 Recognized Component

7-Pin PDIP and 7-pin SOP packages

All trademarks are the property of their respective owners.



PIN ASSIGNMENTS (Dual Voltage Version)



Recommended For You

DCP020515DU

Texas Instruments, Inc

SOP12

DCP010505DBP

Texas Instruments, Inc

DIP7

DCP012415DBP

Texas Instruments, Inc

DIP7

DCP022415DU

Texas Instruments, Inc

SOP-12

DCV010505P-U

Texas Instruments, Inc

SOP-7

DCP010512DBP-U

Texas Instruments, Inc

SOP

DCP012405BP-U

Texas Instruments, Inc

SOP7

DCP012415DBP-U

Texas Instruments, Inc

SOP-7

DCP020515DU/1K

Texas Instruments, Inc

SOP12

PTH05060WAH

Texas Instruments, Inc

DIP

PTH04070WAD

Texas Instruments, Inc

DIP

PTH04070WAH

Texas Instruments, Inc

DIP

PTH03000WAH

Texas Instruments, Inc

DIP

PTH08T260WAD

Texas Instruments, Inc

ECL10

TPS82740BSIPT

Texas Instruments, Inc

USIP-9