
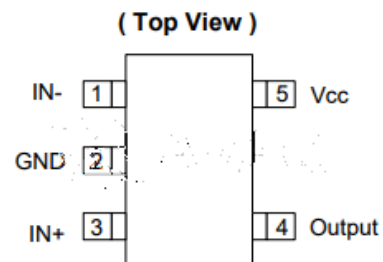


Comparator Single $\pm 18V/36V$ 5-Pin SOT-25 T/R

Manufacturer:	Diodes Inc
Package/Case:	SOT23-5
Product Type:	Linear Displacement Sensors
RoHS:	RoHS Compliant/Lead free 
Lifecycle:	Active



Images are for reference only

[Inquiry](#)

General Description

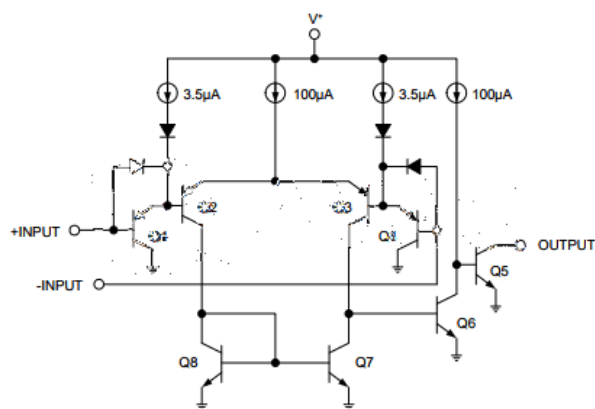
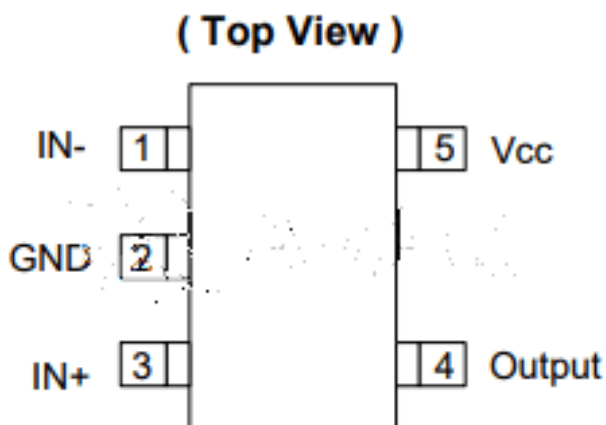
Key Features

Very low supply current drain (0.4mA) - independent of supply voltage

Input common-mode voltage range includes ground

Differential input voltage range equal to the power supply voltage

Output voltage compatible with TTL, DTL, ECL, MOS and CMOS logic systems



Recommended For You

APX321WG-7

Diodes Inc

SOT23-5

AP331AWRG-7

Diodes Inc

SOT23-5

LMV321WG-7

Diodes Inc

SOT23-5

AS358MIR-G1

Diodes Inc

SOP8

LMV331W5-7

Diodes Inc

SOT23-5

TLV271IW5-7

Diodes Inc

SOT25

AS393MIR-G1

Diodes Inc

SOP8

AS321KTR-G1

Diodes Inc

SOT23-5

AZV331KTR-G1

Diodes Inc

SOT23-5

TLV271CW5-7

Diodes Inc

SOT23-5

AS358P-E1

Diodes Inc

DIP-8

ZXFV204N8TA

Diodes Inc

SOP8

AZV3002S-13

Diodes Inc

SOP8

ZXFV203N14TA

Diodes Inc

SOP14

LM2903ATH-13

Diodes Inc

8-TSSOP