

## Circuit Applications of the AD2S90 Resolver-to-Digital Converter

By Dennis Shi-hsiung Fu

The AD2S90 is a 12-bit resolution monolithic resolver-to-digital converter. It provides a complete solution for digitizing resolver signals without using external components. The advantage of using the AD2S90 over other traditional R/D converters in the market is that this chip provides not only absolute position data output (in serial form), but also standard A Quad B format signals. When upgrading the incremental encoder system to a resolver based system, this chip plus a resolver will give out a complete replacement solution without revising the remainder of the system. The absolute position data output gives additional useful information in the upgraded system. The serial form of the digital position data is especially suitable for long distance data transmission.

This application note does not discuss the general features or the basic operations of the AD2S90; that information can be found in the data sheet. The following applications are discussed in this application note:

- Absolute position data serial-to-parallel conversion
- Absolute position data EIA-485 communication
- 4096 line incremental encoder emulation

### ABSOLUTE POSITION DATA SERIAL-TO-PARALLEL CONVERSION

There are many different ways to perform AD2S90 absolute position data serial-to-parallel conversion. Proper digital timing can be generated using microprocessor or hardware circuits. The Figure 1 block diagram

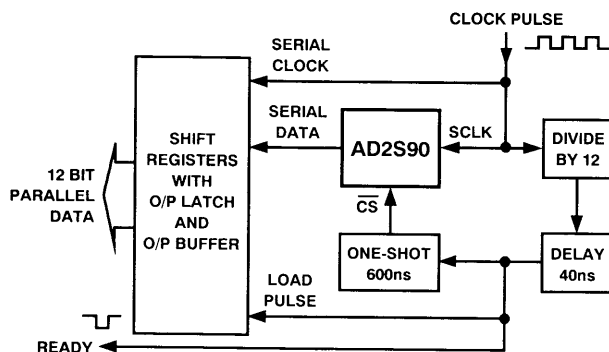
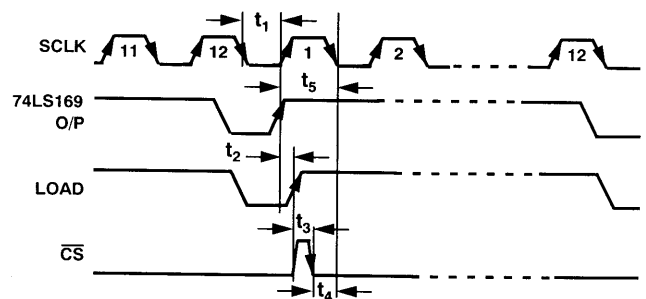


Figure 1. Serial-to-Parallel Conversion Block Diagram

demonstrates the basic AD2S90 serial-to-parallel data conversion in a hardware mode. In this scheme we use two 74HC595s as shift registers. The timing is generated by using a counter/divider 74LS169, 74121 monostable and a delay component. Figure 2 shows the implementation circuit in schematic form.

Considering the timing diagram of the device as shown in the data sheet, the clock pulse waveform (SCLK) should have the following relationships with the chip select pulse ( $\overline{CS}$ ) and load pulse:



- Here,  $t_1 = 250$  ns minimum
- $t_2 = 40$  ns (delay)
- $t_3 = 600$  ns minimum
- $t_4 = 600$  ns minimum

The value for  $t_5$  can be easily calculated as:

$$t_5 = t_2 + t_3 + t_4 = 1240 \text{ ns minimum.}$$

In this application circuit, there is a maximum possible delay of 40 ns between the upgoing edge of SCLK and the upgoing edge of the 74LS169 output signal pulse. This has to be taken into consideration when calculating the timing.

The one-shot used in the Figure 2 circuit (74121) has the pulse width:

$$t_w = \ln 2 \cdot C \cdot R$$

with  $C = 10$  pF and  $R = 86.6$  k $\Omega$ ,  $t_w = 600$  ns

So the  $t_5$  value in this circuit will be:

$$t_5 = t_2 + t_3 + t_4 + 40 = 1280 \text{ ns minimum}$$

The calculation suggests the SCLK frequency range for this demonstrating circuitry, i.e.,

$$\text{For 50\% duty cycle, } SCLK \leq \frac{1}{2 \times t_5} = 390 \text{ kHz}$$

$$\text{For 84\% duty cycle, } SCLK \leq \frac{1}{t_5 + 250 \text{ ns}} = 653 \text{ kHz}$$

Notice here  $t_2$  is the time period needed for 74HC595 to finish data transfer (from shift registers to the storage register). The load pulse can be used independently or gated with other signals to indicate the READY status of the data conversion. For further information on detailed timing, please refer to corresponding data sheets.

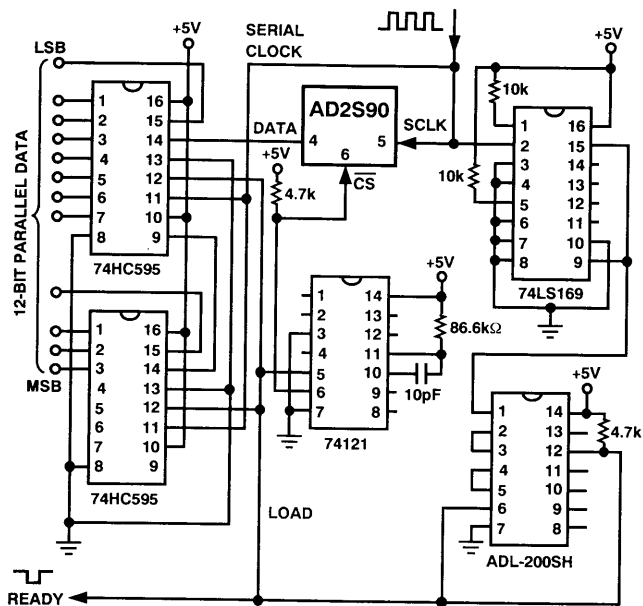


Figure 2. Synchronous Serial-to-Parallel Conversion Schematic

The read-out rate (12-bit parallel data) for this application circuit can be calculated as follows:

Assume that the SCLK = 653 kHz, (79% duty cycle) then:

$$\text{Read-out rate} = \frac{653 \times 10^3}{12} = 54416 \text{ words/second}$$

Here, 1 word = 12-bit digital data.

Notice that for the AD2S90, the maximum serial clock rate could be as high as 2 MHz (50% duty cycle). The corresponding conversion circuitry is not discussed here but can be readily developed based on the same principle. The maximum read-out rate corresponding to the 2 MHz serial clock is:

$$\text{max read-out time} = [600 + (12 \times 500) + 600 + 100] = 7.3 \mu\text{s}$$

Then,

$$\text{max read-out rate} = \frac{1}{7.3 \mu\text{s}} = 136,986 \text{ words/second}$$

(1 word = 12-bit digital data)

### ABSOLUTE POSITION DATA RS-485 COMMUNICATION

High speed data transmission between a computer system and a remote transducer over long distances, under high noise conditions, usually proves to be very difficult if not impossible with single-ended drivers and receivers. In this case, EIA standard RS-422 or RS-485 balanced digital voltage interfacing is recommended. One benefit of the AD2S90 is its serial absolute position data form, which provides a basis for a simple long distance data transmission configuration. Figure 3 shows the block diagram of RS-485 communication scheme for AD2S90 long distance data transmission. Figure 4 is the circuit using a pair of driver/receiver chips to implement RS-485 communication. In this circuit, the serial position data, clock pulses and load pulse are generated on the driver side and sent to a differential transmitter (75172). On the receiver side, this data can be easily converted to a parallel format with a differential receiver (75173).

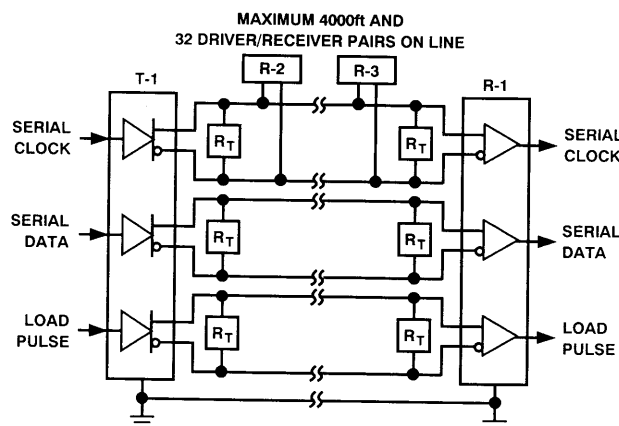


Figure 3. Block Diagram for AD2S90 RS-485 Communication

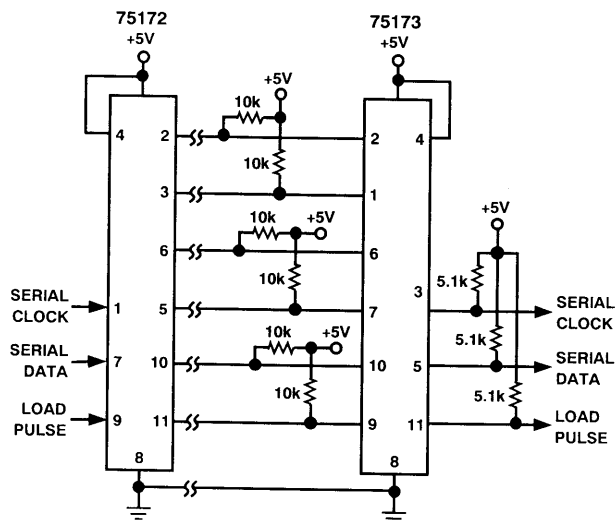


Figure 4. AD2S90 RS-485 Communication

The above 7-wire RS-485 data transmission configuration is basically designed for transmitting the AD2S90 serial data to a remote location where all the data is then converted to parallel. The block diagram of the whole system is shown in Figure 5.

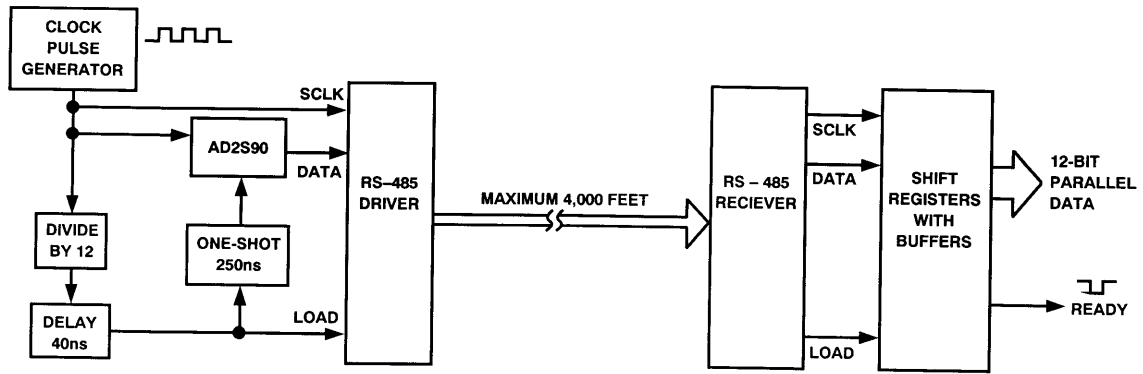


Figure 5. Serial-to-Parallel Data Transmission System Diagram

#### 4096 LINE INCREMENTAL ENCODER EMULATION

One important feature that makes the AD2S90 unique among R/D converters is the quadrature signal output. The device gives out 1024 line A Quad B and north marker signals exactly emulating those from a 1024 line incremental optical encoder. The resolution of the A Quad B can be increased by multiplying the 1024 line count by 4. This produces a 4096 A Quad B output which can be decoded to 16384. An example of 4096 line incremental encoder emulation is shown in Figure 6. Cautions must be taken in selecting the inverter type shown in Figure 6. For example, 4000-Series CMOS will give you longer pulse durations than the AS logic family. In certain cases, inverters can be replaced by delay components to generate more precise timing.

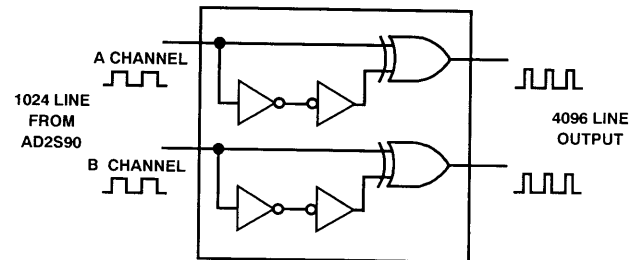


Figure 6.  $\times 4$  Circuitry Offering 4096 Incremental Encoder Emulation Using the AD2S90