

Encoder/Decoder 5V 20-Pin SOIC W

Manufacturer:	Renesas Technology Corp
Package/Case:	SOP20
Product Type:	Communication & Networking ICs
Lifecycle:	Obsolete



Images are for reference only

[Inquiry](#)

General Description

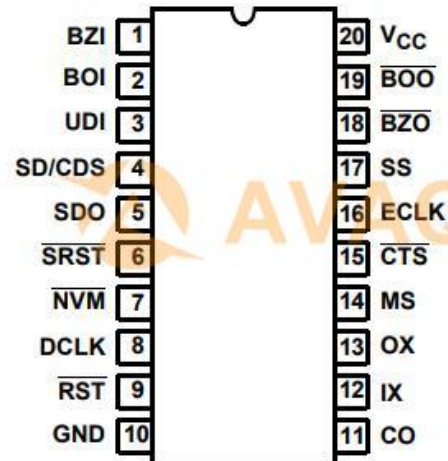
Avaq Semiconductor offers the highly versatile and reliable HD9P6409-9 driver, produced by Renesas Technology Corp. With its multifunctional and high-performance capabilities, this component is an excellent choice for a wide range of electronic projects.

To ensure that you have all the necessary information to make the most of this component, Avaq provides a free datasheet PDF, as well as circuit diagrams, pin layouts, pin details, pin voltage ratings, and equivalent components for the HD9P6409-9.

Avaq also offers free samples. Simply fill out and submit the sample request form to receive your free samples for testing. If you have any questions, please feel free to contact us at ar



**HD-6409 (PDIP, SOIC)
TOP VIEW**



Recommended For You

HD74LS283P

Renesas Technology Corp
DIP

HD9P6409-9Z

Renesas Technology Corp
SOP20

HD74LS83AP

Renesas Technology Corp
DIP16

HD74AC280FPEL

Renesas Technology Corp

SOP

HD74HC280FP

Renesas Technology Corp

SOP

HD74AC283FPEL

Renesas Technology Corp

SOP-16

HD74AC283ARPEL

Renesas Technology Corp

144-LQFP20x20

HD3-6409-9Z

Renesas Technology Corp

TapeCye

HD74AC280P

Renesas Technology Corp

DIP14

HD1-6408-9

Renesas Technology Corp

CDIP24

HD74HC283FPEL

Renesas Technology Corp

SOP(5.2)

HD74LS280FP

Renesas Technology Corp

SOP

HD74HC283P

Renesas Technology Corp

DIP

HD74HC280FPEL

Renesas Technology Corp

SOP5.2

HD74LS283FPEL

Renesas Technology Corp

SOP5.2