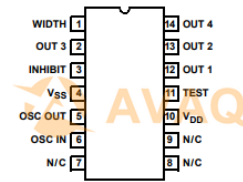


Time Base Generator

| | |
|----------------------|--|
| Manufacturer: | Rochester Electronics Incorporated |
| Package/Case: | DIP |
| Product Type: | Logic ICs |
| Lifecycle: | Aftermarket |



Images are for reference only

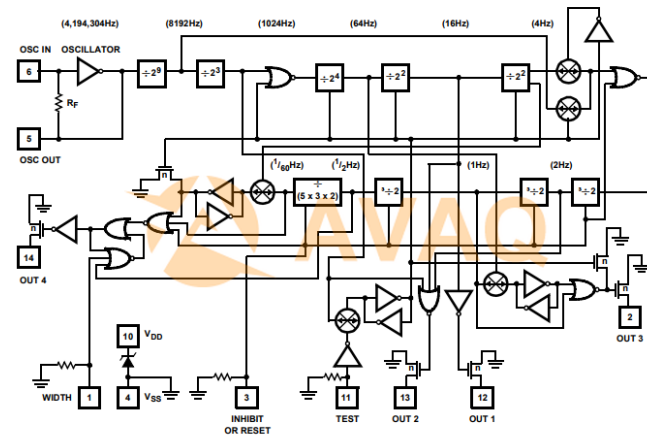
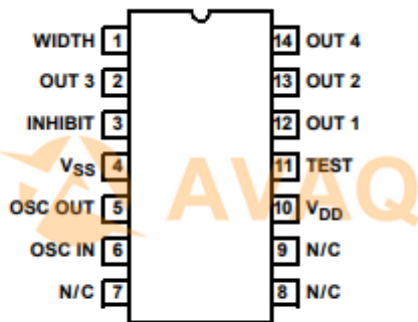
Inquiry

General Description

Avaq Semiconductor offers the highly versatile and reliable ICM7213IPD driver, produced by Rochester Electronics Incorporated. With its multifunctional and high-performance capabilities, this component is an excellent choice for a wide range of electronic projects.

To ensure that you have all the necessary information to make the most of this component, Avaq provides a free datasheet PDF, as well as circuit diagrams, pin layouts, pin details, pin voltage ratings, and equivalent components for the ICM7213IPD.

Avaq also offers free samples. Simply fill out and submit the sample request form to receive your free samples for testing. If you have any questions, please feel free to contact us at ar



Recommended For You

DS75452N

Rochester Electronics Incorporated
DIP8

SN74LS283N

Rochester Electronics Incorporated
DIP

CD4528BCMX

Rochester Electronics Incorporated
SOP

DP8311N

Rochester Electronics Incorporated
DIP20

RC4200AN

Rochester Electronics Incorporated
DIP8

DM8131N

Rochester Electronics Incorporated
DIP

AM29C660DGC

Rochester Electronics Incorporated

PGA

DM9601J/883

Rochester Electronics Incorporated

DIP

DM96S02N

Rochester Electronics Incorporated

DIP

DM74LS123M

Rochester Electronics Incorporated

SOP16

MC74HC85N

Rochester Electronics Incorporated

DIP16

MM74HC221AM

Rochester Electronics Incorporated

SOP-16

MM74HC4538M

Rochester Electronics Incorporated

SOP-16

DM74LS181N

Rochester Electronics Incorporated

DIP

SN74HC283N

Rochester Electronics Incorporated

DIP