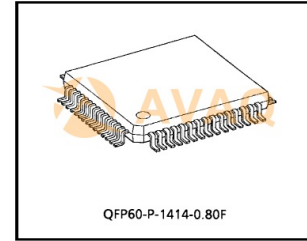


## Video Signal Processor IC

<b>Manufacturer:</b>	<a href="#">Toshiba Semiconductor</a>
<b>Package/Case:</b>	QFP60
<b>Product Type:</b>	Embedded Processors & Controllers
<b>Lifecycle:</b>	Obsolete



Images are for reference only

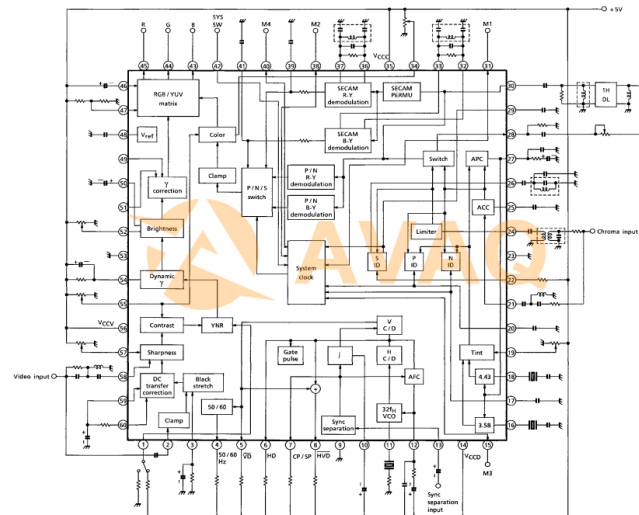
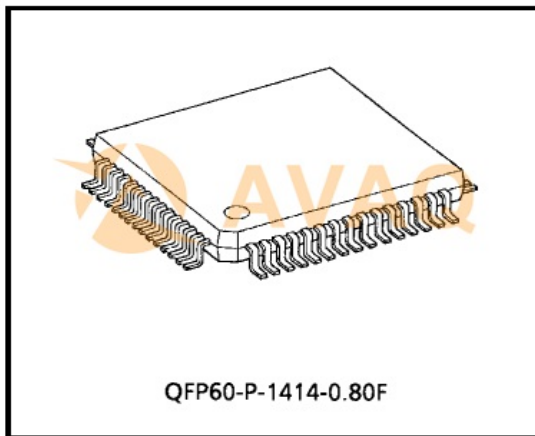
[Inquiry](#)

## General Description

Avaq Semiconductor offers the highly versatile and reliable TA8795BF driver, produced by Toshiba Semiconductor. With its multifunctional and high-performance capabilities, this component is an excellent choice for a wide range of electronic projects.

To ensure that you have all the necessary information to make the most of this component, Avaq provides a free datasheet PDF, as well as circuit diagrams, pin layouts, pin details, pin voltage ratings, and equivalent components for the TA8795BF.

Avaq also offers free samples. Simply fill out and submit the sample request form to receive your free samples for testing. If you have any questions, please feel free to contact us at ar



## Recommended For You

### TA8819F

Toshiba Semiconductor  
SOP30

### TA8819F(EL)

Toshiba Semiconductor  
SOP-30

### TC8569AF

Toshiba Semiconductor  
QFP80

### TMPV7502XBG

Toshiba Semiconductor  
LFBGA-324

### TMPV7608XBG

Toshiba Semiconductor  
P-FBGA796

### TMPV7506XBG

Toshiba Semiconductor  
BGA

**TC90195AXBG**

Toshiba Semiconductor

P-LFBGA293-1717-0.80

**TMPV7528XBG**

Toshiba Semiconductor

BGA

**TMPV7504XBG**

Toshiba Semiconductor

P-BGA516-2727-1.00-0