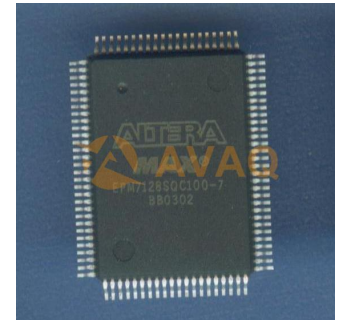


CPLD MAX® 7000S Family 2.5K Gates 128 Macro Cells 125MHz
5V 100-Pin PQFP Tray



Images are for reference only

| | |
|----------------------|----------------------------|
| Manufacturer: | Intel Corp |
| Package/Case: | QFP |
| Product Type: | Programmable Logic ICs |
| Lifecycle: | Obsolete |

[Inquiry](#)

General Description

EPM7128SQC100-7 is a complex programmable logic device (CPLD) manufactured by Intel (formerly Altera). Here are some of its features:

Key Features

It contains 128 macrocells (each with a programmable AND array, a programmable OR array, and a flip-flop).

It has 7ns pin-to-pin delay, which means it can operate at a clock frequency of up to 143MHz.

It has a maximum pin count of 100, and comes in a Quad Flat Pack (QFP) package.

It has a 5V power supply.

Application

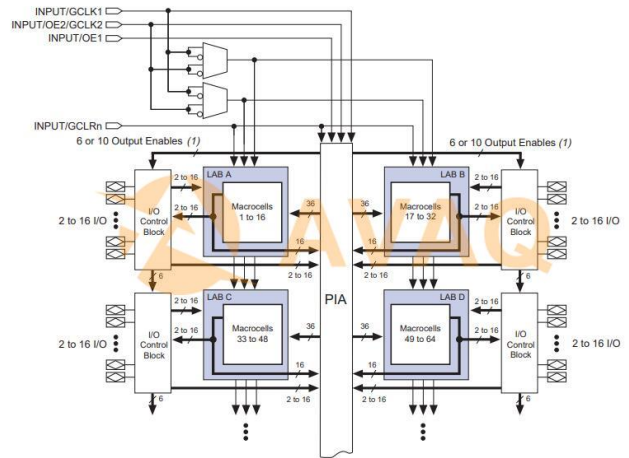
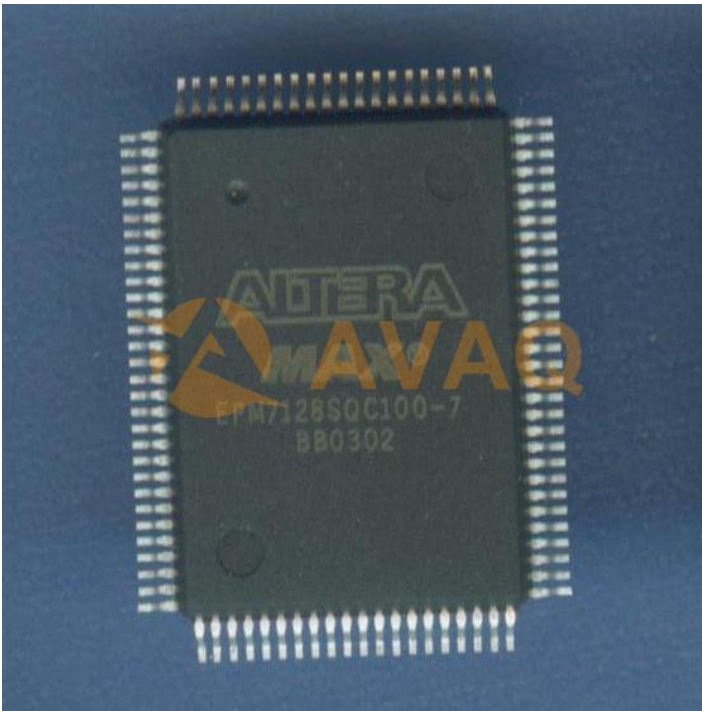
Communications equipment

Industrial control systems

Test and measurement equipment

Automotive electronics

Medical equipment



Recommended For You

EPM7128SQC100-15

Intel Corp

QFP

EPM7128SLC84-10

Intel Corp

PLCC84

EPM7128SLC84-15

Intel Corp

PLCC84

EPM7128EQC100-10

Intel Corp

QFP

EPM7128SQC160-10

Intel Corp

QFP

EPM7128STC100-15

Intel Corp

TQFP

EPM7128EQC160-10

Intel Corp

QFP160

EPM7128EQC100-7

Intel Corp

QFP

EPM7064QC100-12

Intel Corp

QFP

EPM7128EQC160-12

Intel Corp

QFP

EPM7064QC100-7

Intel Corp

QFP

EPM7064QI100-15

Intel Corp

PQFP-100