

Monitor 3V to 5.5V Automotive 10-Pin VSSOP T/R

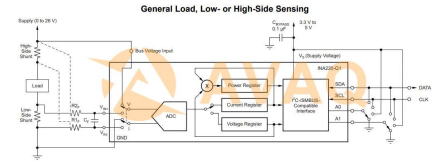
Manufacturer: [Texas Instruments, Inc](#)

Package/Case: MSOP10

Product Type: Power Management ICs

RoHS: RoHS Compliant/Lead free 

Lifecycle: Active



Images are for reference only

[Inquiry](#)

General Description

The INA220-Q1 device is a current shunt and power monitor with an I²C- or SMBUS-compatible interface. The INA220-Q1 device monitors both shunt drop and supply voltage. A programmable calibration value, combined with an internal multiplier, enables direct readouts in amperes. An additional multiplying register calculates power in watts. The I²C- or SMBUS-compatible interface features 16 programmable addresses. The separate shunt input on the INA220-Q1 device allows it to be used in systems with low-side sensing.

The INA220-Q1 device senses across shunts on buses that can vary from 0 to 26 V, useful for low-side sensing or CPU power supplies. The device uses a single 3- to 5.5-V supply, drawing a maximum of 1 mA of supply current. The INA220-Q1 device operates from -40°C to +125°C.

Key Features

Qualified for Automotive Applications

AEC-Q100 Qualified with the following results:
Device Temperature Grade 1: -40°C to +125°C
Ambient Operating Temperature Range

Device HBM ESD Classification Level H2

Device CDM ESD Classification Level C3B

High- or Low-Side Sensing

Senses Bus Voltages from 0 V to 26 V

Reports Current, Voltage, and Power

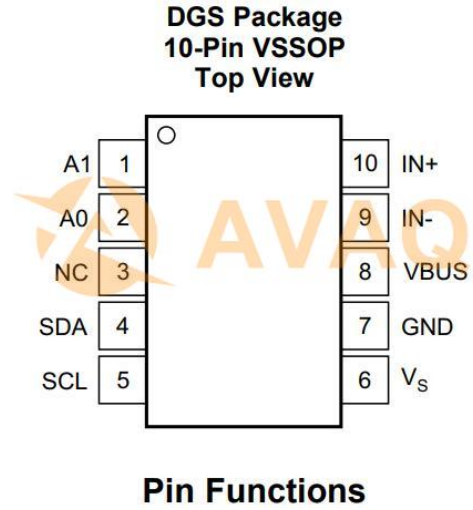
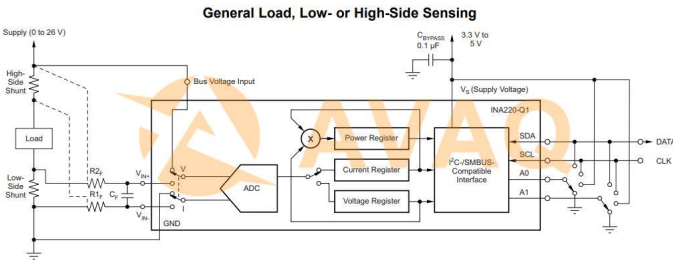
16 Programmable Addresses

High Accuracy: 0.5% (Maximum) Over Temperature

User-Programmable Calibration

Fast (2.56-MHz) I²C- or SMBUS-Compatible Interface

VSSOP-10 Package



Recommended For You

INA823DT

Texas Instruments, Inc
SOP8

INA333AIDRGR

Texas Instruments, Inc
SON-8

INA101AM

Texas Instruments, Inc
CAN10

INA141UA

Texas Instruments, Inc
SOP8

INA111AP

Texas Instruments, Inc
DIP8

INA101AG

Texas Instruments, Inc
DIP

INA116UA

Texas Instruments, Inc
SOP16

INA333AIDRGT

Texas Instruments, Inc
SON8

INA101SM

Texas Instruments, Inc
CAN10

INA129PA

Texas Instruments, Inc
DIP8

INA101CM

Texas Instruments, Inc
CAN10

INA141PA

Texas Instruments, Inc
DIP

TLV2254IN

Texas Instruments, Inc
DIP-14

TLV2464IN

Texas Instruments, Inc
DIP14

INA2126UA

Texas Instruments, Inc
SOP16