
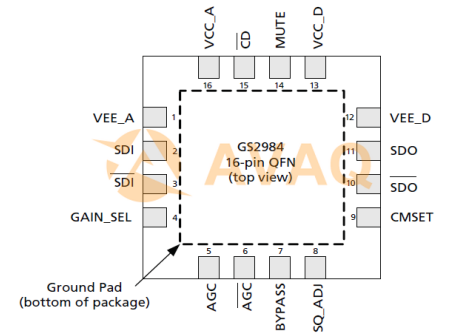


Adaptive Cable Equalizer 16-Pin QFN EP T/R

Manufacturer:	Semtech Corporation
Package/Case:	QFN16
Product Type:	Drivers
RoHS:	RoHS Compliant/Lead free 
Lifecycle:	NRND



Images are for reference only

[Inquiry](#)

General Description

The GS2984 supports the industry's longest cable lengths (140m) at the lowest output jitter (0.25UI). The GS2984 is a high-speed BiCMOS integrated circuit designed to equalize and restore signals received over 75ohm coaxial cable.

Key Features

SMPTE 424M, SMPTE 292M and SMPTE 259M compliant

Automatic cable equalization

140m cable length at 3Gb/s, 200m at HD, 400m at SD

Multi-standard operation from 143Mb/s to 2.97Gb/s

Performance optimized for 270Mb/s, 1.485Gb/s and 2.97Gb/s. Typical equalized length of Belden 1694A cable:

140m at 2.97Gb/s

200m at 1.485Gb/s

400m at 270Mb/s

Supports DVB-ASI at 270Mb/s

Manual bypass (useful for low data rates with slow rise/fall times)

Programmable carrier detect with squelch threshold adjustment

Differential outputs support DC coupling to 3.3V and 2.5V CML logic

0/6 dB gain boost selection pin

Standard EIA/JEDEC logic control and status signal levels

Single 3.3V power supply operation

195mW power consumption (typical)

Wide operating temperature range of -40°C to +85°C

Drop-in compatible with the GS2974

Pb-free and RoHS compliant

Application

Audio De-embedders

Audio Embedders

Camera

Camera Control Units

Distribution Amplifiers

Encoders/Decoders

Format Detectors

Master Control Switchers

Monitors

Multiviewers

Production Switchers

Routers

SMPTE 424M, SMPTE 292M and SMPTE 259M coaxial cable serial digital interfaces

Test and Measurement Equipment

Up/Down/Cross Converters

Video Capture Cards

Video Servers

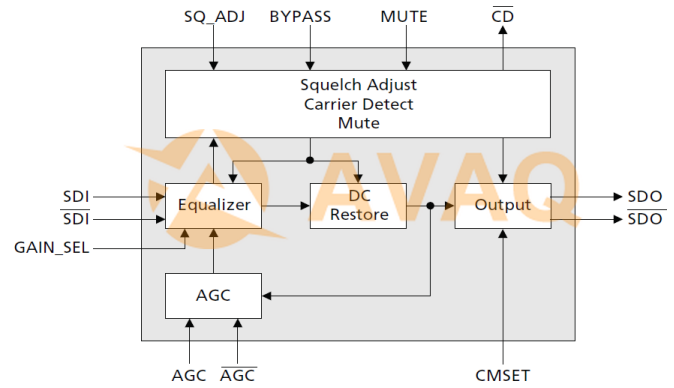
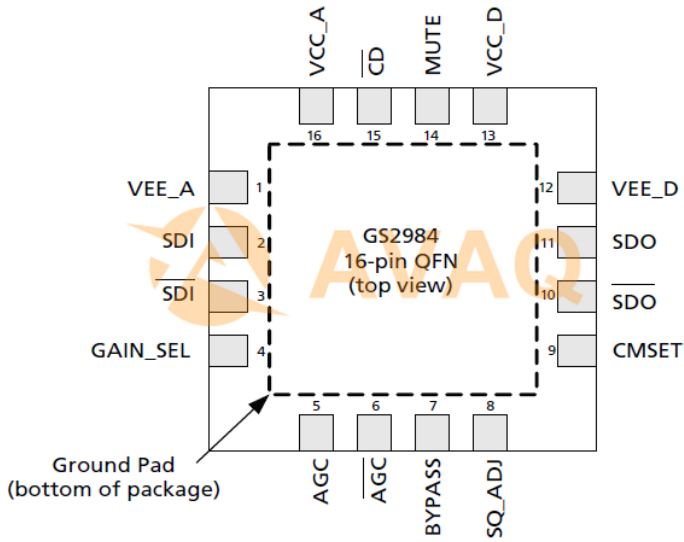
Video Tape Recorders

Order Codes

GS2984-INE3: Lead-Free, RoHS Compliant, Tray-490 Pieces

GS2984-INTE3: Lead-Free, RoHS Compliant, Tape and Reel-250 Pieces

GS2984-INTE3Z: Lead-Free, RoHS Compliant, Tape and Reel-2500 Pieces



Recommended For You

GS1574ACNE3

Semtech Corporation

QFN16

GS12090-INE3

Semtech Corporation

QFN

GS12141-INE3

Semtech Corporation

QFN40

GS3490-INE3

Semtech Corporation

QFN

GS3440-INE3

Semtech Corporation

QFN

GS2984-INE3

Semtech Corporation

QFN

GS2994-INE3

Semtech Corporation

QFN

GS6042-INE3

Semtech Corporation

GS6042-INE3

GS12241-INE3

Semtech Corporation

QFN

GS3140-INE3

Semtech Corporation

QFN

GS3590-INE3

Semtech Corporation

GS3590-INE3

GS3440-INTE3

Semtech Corporation

GS3440-INTE3

GS3140-INTE3

Semtech Corporation

16-VQFN

GS2993-INE3

Semtech Corporation

QFN

GN2044SINE3

Semtech Corporation

QFN-32