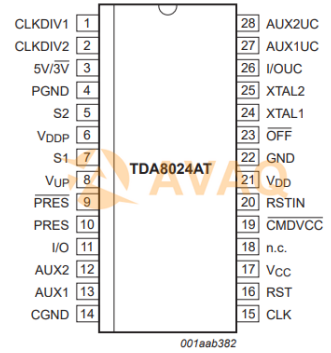


Smart Card Interface 3.2MHz 3.3V/5V 560mW 28-Pin SO

Manufacturer:	NXP Semiconductor
Package/Case:	SOP28
Product Type:	Drivers
RoHS:	RoHS Compliant/Lead free
Lifecycle:	Active



Images are for reference only

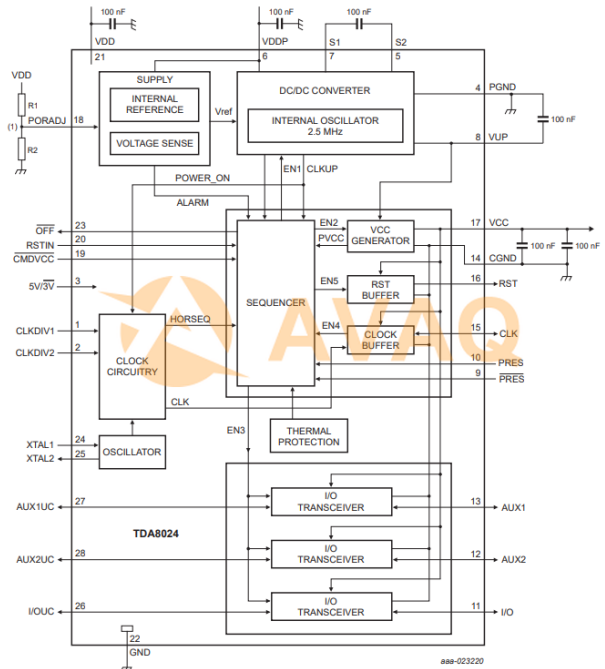
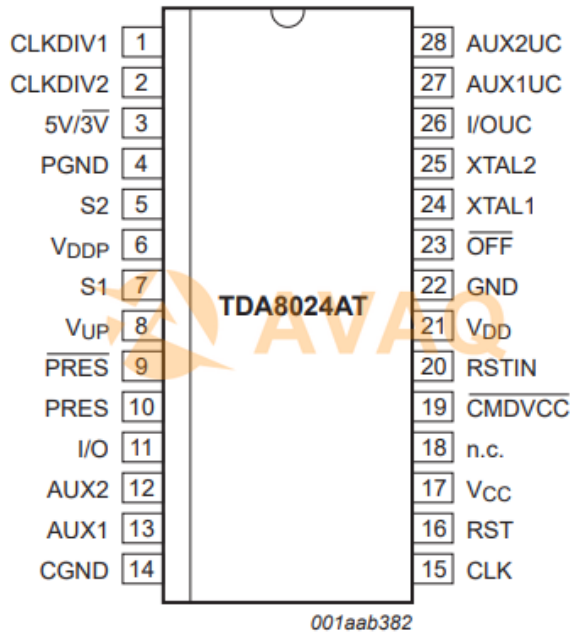
Inquiry

General Description

Avaq Semiconductor offers the highly versatile and reliable TDA8024AT/C1 driver, produced by NXP Semiconductor. With its multifunctional and high-performance capabilities, this component is an excellent choice for a wide range of electronic projects.

To ensure that you have all the necessary information to make the most of this component, Avaq provides a free datasheet PDF, as well as circuit diagrams, pin layouts, pin details, pin voltage ratings, and equivalent components for the TDA8024AT/C1.

Avaq also offers free samples. Simply fill out and submit the sample request form to receive your free samples for testing. If you have any questions, please feel free to contact us at ar



Recommended For You

TDA8004T/C1	TDA8024AT	TDA8004T
NXP Semiconductor	NXP Semiconductor	NXP Semiconductor
SOP28	SOP28	SOP28

TDA8029HL

NXP Semiconductor

LQFP32

TDA8023TT

NXP Semiconductor

TSSOP28

TDA8024TT

NXP Semiconductor

TSSOP28

TDA8024T/C1

NXP Semiconductor

SOP28

TDA8005AG

NXP Semiconductor

QFP

TDA8007BHLBE

NXP Semiconductor

BGA

TDA8005H

NXP Semiconductor

QFP

TDA8004TD

NXP Semiconductor

SOP

TDA8006AH/C325

NXP Semiconductor

QFP-44

TDA8004AT/C1

NXP Semiconductor

SOP28

TDA8002AT/3/C2

NXP Semiconductor

SOP

TDA8002G/3/C2

NXP Semiconductor

BGA