

automotive Touch Screen Controllers

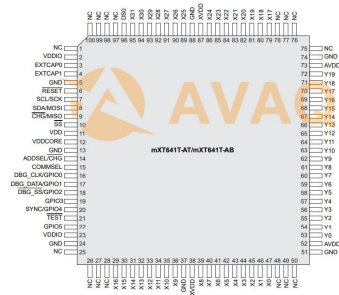
Manufacturer: [Microchip Technology, Inc](#)

Package/Case: TQFP100

Product Type: Drivers

Lifecycle: Active

PIN CONFIGURATION
100-pin TQFP



Images are for reference only

[Inquiry](#)

General Description

In ProductionThe recommended alternative touch controller is ATMXT640U.The mXT641T uses the latest capacitive touch technologies thatMicrochip has designed for the highest-performance super phones andtablets. With a revolutionary adaptive-sensing architecture thatfeatures both mutual- and self-capacitance, it enables the highestperformance with the industry's lowest power consumption.With 640 nodes, the mXT641T touchscreen controller supports up to 8inches for Android tablets, 7 inches for Windows 8 mobile devices, andup to 6.2 inches for devices with 1.0mm passive stylus.

The mXT641T touchscreen controller also supports 1 finger Hover tracking at up 20mm height.

Please contact your local Microchip sales office for pricing information and to place an order.

Key Features

Fully automotive-qualified (Grade 2), operating within the temperature range of -40 to +105 deg C

Supports up to 16 concurrent touches in real time with touch size reporting

Communication via a serial interface (I2C or SPI)

Integrated voltage doubler option to increase the signal to noise ratio (SNR)

Adaptive Sensing (Self and Mutual cap)

Supports thick glove (5mm) touch

Support thick lenses (up to 3mm plastic)

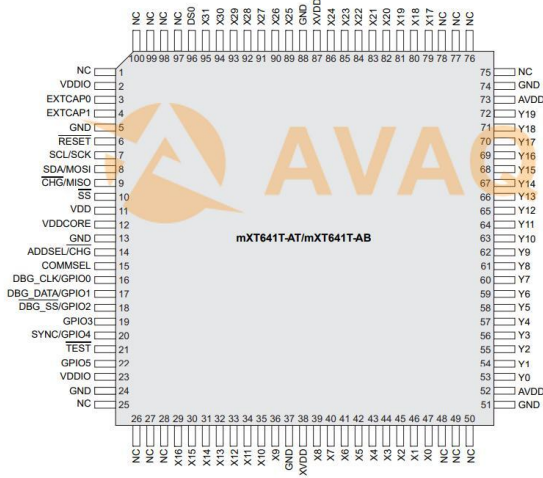
Superior moisture performance

Hover tracking up to 20mm

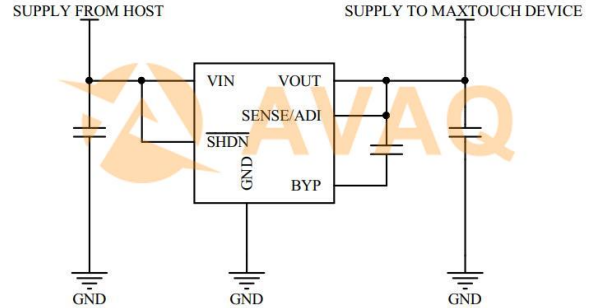
Package: TQFP100

PIN CONFIGURATION

100-pin TQFP



EXAMPLE LDO CIRCUIT



Recommended For You

ATMXT449T-AT

Microchip Technology, Inc
TQFP100

ATMXT449T-ATR

Microchip Technology, Inc
TQFP100

ATMXT641T-ATR

Microchip Technology, Inc
TQFP100

ATSENSE201A-AUR

Microchip Technology, Inc
TQFP7x7

MCP3906AT-I/SS

Microchip Technology, Inc
SSOP-24

ATSENSE101A-SUR

Microchip Technology, Inc
SOIC

ATSENSE201HA-AU

Microchip Technology, Inc
TQFP-32

ATMXT288UD-AMISPIVAO

Microchip Technology, Inc
Very-ThinQuadFlatpac

ATMXT288UD-AMII2CVAO

Microchip Technology, Inc
Very-ThinQuadFlatpac

ATSENSE201HA-AUR

Microchip Technology, Inc
TQFP32

ATMXT224-MAH

Microchip Technology, Inc
QFN48

ATSENSE301HA-AU

Microchip Technology, Inc
TQFP7x7

ATMXT1664T3-CCU

Microchip Technology, Inc
BGA

ATSENSE301A-AUR

Microchip Technology, Inc
TQFP-32

MCP3905AT-E/SS

Microchip Technology, Inc
SSOP