

USB Power Switch Single 5.5V 0.25A to 1.5A 8-Pin TDFN EP

Manufacturer: [Maxim Integrated](#)

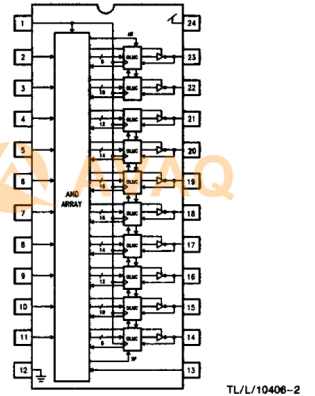
Package/Case: TDFN8

Product Type: Switches

RoHS: RoHS Compliant/Lead free 

Lifecycle: Active

Block Diagram—GAL22V10



Images are for reference only

[Inquiry](#)

General Description

Application

Each device in the family handles an overcurrent event differently depending on the option selected. The MAX14523A/MAX14523AL go into an autoretry mode, the MAX14523B latches off the switch, and the MAX14523C features a continuous current-limit mode. Additional safety features include thermal shutdown to prevent overheating and reverse-current blocking to prevent current from being driven back into the source.

The MAX14523A/MAX14523AL/MAX14523B/MAX14523C are available in a tiny 8-pin, 3mm x 3mm, TDFN package and operate over the -40°C to +125°C automotive temperature range.

Applications

Cell Phones

GPS

MP3 Players

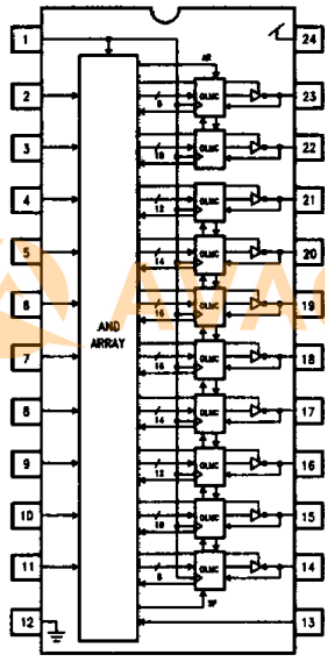
Notebook VGA Ports

SDIO Ports

USB Ports

UTCA/ATCA Platforms

Block Diagram—GAL22V10



TL/L/10406-2

9. Package outline

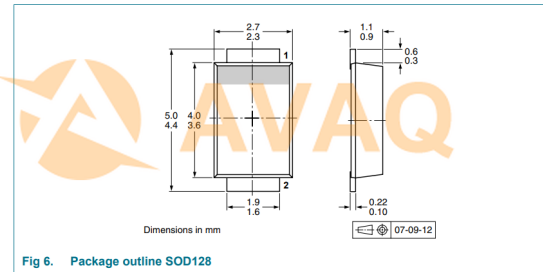


Fig 6. Package outline SOD128

Recommended For You

MAX14523AATA+T

Maxim Integrated
TDFN8

MAX8586ETA+T

Maxim Integrated
DFN8

MAX16826BATJ+

Maxim Integrated
QFN

MAX1719EUT+T

Maxim Integrated
SOT23-6

MAX13020ASA+

Maxim Integrated
SOP-8

MAX774ESA+

Maxim Integrated
SOP-8

MAX1346BETX+T

Maxim Integrated
QFN-36

MAX32655GXG+

Maxim Integrated
LFBGA81

MAX14585AEVB+

Maxim Integrated
QFN

MAX14970EIP+

Maxim Integrated
TQFN

MAX14514EID+

Maxim Integrated
TDFN14

MAX14986EIH+

Maxim Integrated
TQFN

MAX14950CTO+

Maxim Integrated
TQFN-42

MAX13021ASA+

Maxim Integrated
SOP8

MAX1358BETL+

Maxim Integrated
QFN40