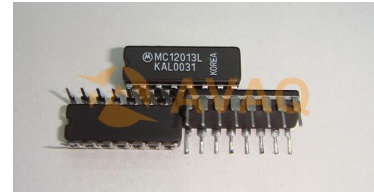


## Prescaler 16-Pin CDIP

<b>Manufacturer:</b>	<a href="#">NXP Semiconductor</a>
<b>Package/Case:</b>	DIP
<b>Product Type:</b>	RF Integrated Circuits
<b>Lifecycle:</b>	Obsolete



Images are for reference only

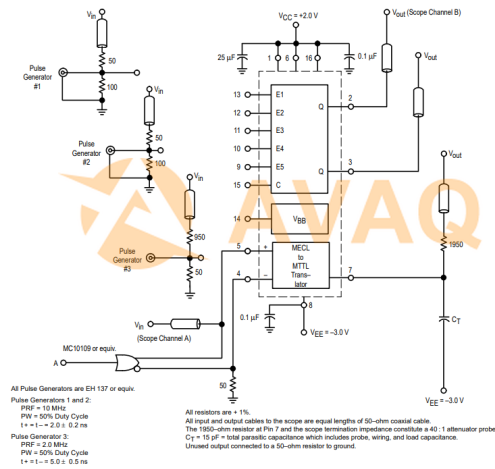
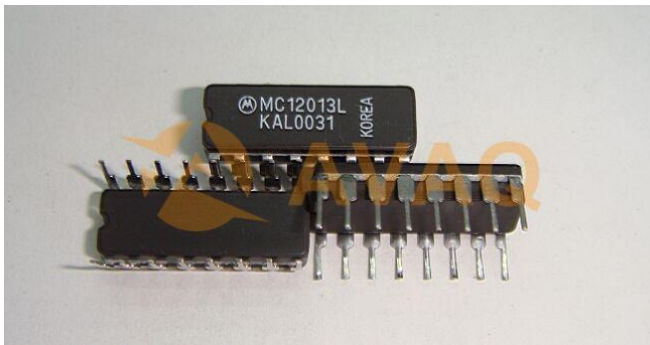
[Inquiry](#)

## General Description

Avaq Semiconductor offers the highly versatile and reliable MC12013L driver, produced by NXP Semiconductor. With its multifunctional and high-performance capabilities, this component is an excellent choice for a wide range of electronic projects.

To ensure that you have all the necessary information to make the most of this component, Avaq provides a free datasheet PDF, as well as circuit diagrams, pin layouts, pin details, pin voltage ratings, and equivalent components for the MC12013L.

Avaq also offers free samples. Simply fill out and submit the sample request form to receive your free samples for testing. If you have any questions, please feel free to contact us at ar



## Recommended For You

### MC12013P

NXP Semiconductor  
DIP

### MC13226V

NXP Semiconductor  
LGA145

### MC13155D

NXP Semiconductor  
SOP16

### MC12079D

NXP Semiconductor  
SOP8

### MC12052AD

NXP Semiconductor  
SOP8

### MC12009P

NXP Semiconductor  
DIP16

**MC12019P**

NXP Semiconductor

DIP8

**MC12015D**

NXP Semiconductor

SOP8

**MC13212**

NXP Semiconductor

LGA71

**MC13213**

NXP Semiconductor

LGA71

**MC13212R2**

NXP Semiconductor

BGA

**MC13155DR2**

NXP Semiconductor

SOP16

**MC12089DR2**

NXP Semiconductor

SOP8

**MC13191FC**

NXP Semiconductor

QFN32

**MC13233C**

NXP Semiconductor

QFN48