
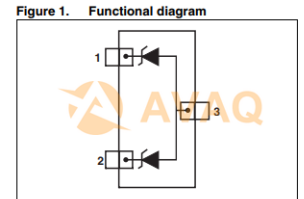


**ESD Suppressor Diode Diode Array Uni-Dir/Bi-Dir 3V 19Vc
Automotive 3-Pin SOT-23 T/R**

Manufacturer:	STMicroelectronics, Inc
Package/Case:	SOT-23
Product Type:	Thyristors
RoHS:	RoHS Compliant/Lead free 
Lifecycle:	Active



Images are for reference only

[Inquiry](#)

General Description

This device is a diode array designed to protect 1 line or 2 lines against ESD transients.

The device is ideal for applications where both reduced line capacitance and board space saving are required. It can also be used as bidirectional suppressor by connecting only pin 1 and 2.

Key Features

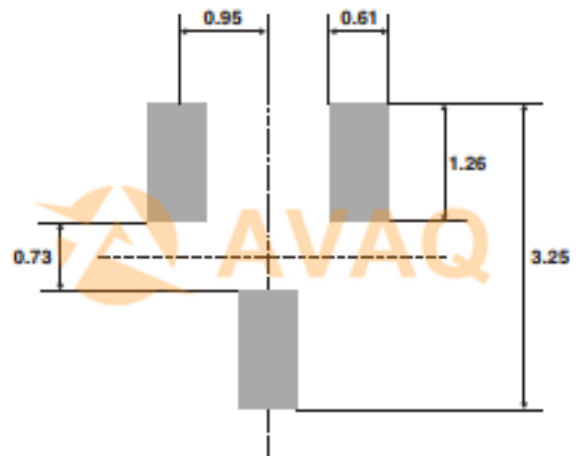
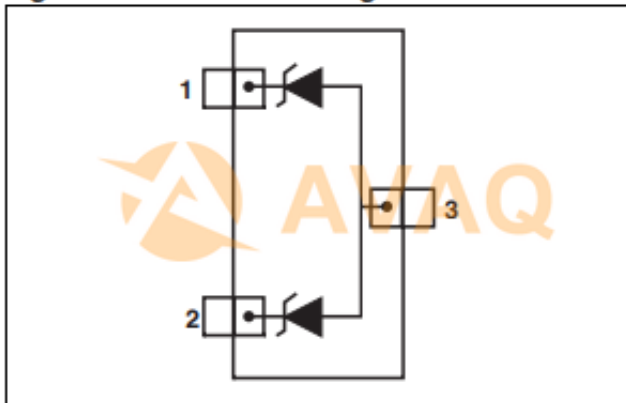
AEC-Q101 qualified

Dual unidirectional Transil functions

Low leakage current: $I_{Rmax} < 20 \mu A$ at V_{BR}

300W peak pulse power (8/20 μs)

Figure 1. Functional diagram



Recommended For You

ESDLINI524BJ

STMicroelectronics, Inc
SOD-323

ESDA6V1W5

STMicroelectronics, Inc
SOT-353

ESDCAN24-2BLY

STMicroelectronics, Inc
SOT-23-3

ESDA14V2LY

STMicroelectronics, Inc
SOT-23

ESDALC6V1P5

STMicroelectronics, Inc
SOT-665

ESDAXLC6-1BU2

STMicroelectronics, Inc
ST0201

ESDALCL5-1BM2

STMicroelectronics, Inc
SOD882

ESDA14V2SC6

STMicroelectronics, Inc
SOT23-6

ESDALC6V1-1BU2

STMicroelectronics, Inc
ST0201

ESDA25B1RL

STMicroelectronics, Inc
SOP8

ESDALC6V1W5

STMicroelectronics, Inc
SOT353

ESDA8V2-1J

STMicroelectronics, Inc
SOD-323

ESDA5-1BF4

STMicroelectronics, Inc
SMD

ESDA14V2-2BF3

STMicroelectronics, Inc
BGA

ESDA25W

STMicroelectronics, Inc
SOT323